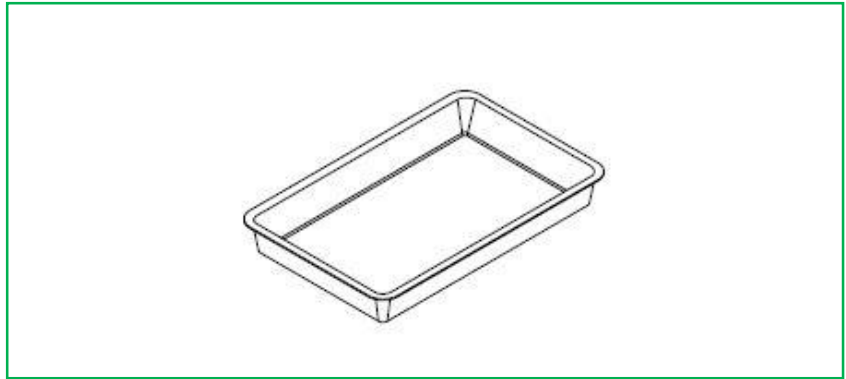




**MEDISCA**<sup>®</sup>  
YOUR TRUSTED PARTNER IN COMPOUNDING

**PRODUCT NO.: 6706**



**PLASTIC TRAY, PROFILLER 3600**  
Commercial Grade Plastic

**DESCRIPTION:** This plastic tray is used as a holding device for fully assembled capsules.